



C09-RAC-107

3005

BOARD DIPLOMA EXAMINATION, (C-09)  
MARCH/APRIL—2016  
FIRST YEAR (COMMON) EXAMINATION  
ENGINEERING DRAWING

Time : 3 hours ]

[ Total Marks : 60

PART—A

5×4=20

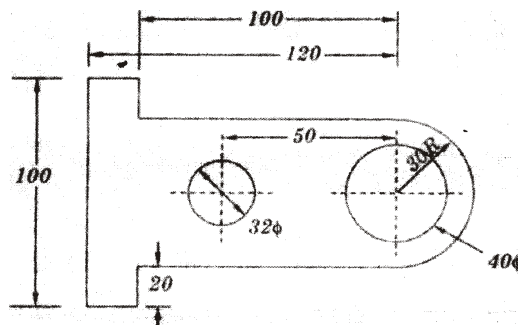
**Instructions** : (1) Answer **all** questions.

(2) Each question carries **five** marks.

1. Write the following in single stroke inclined letters of size 10 mm as prescribed in SP : 46—1988 :

“ENGINEERING DRAWING”

2. Redraw the following figure and dimension it as per SP : 46—1988 :



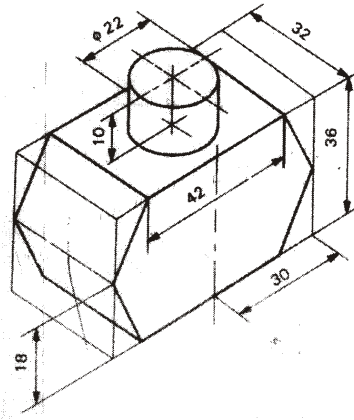
/3005

1

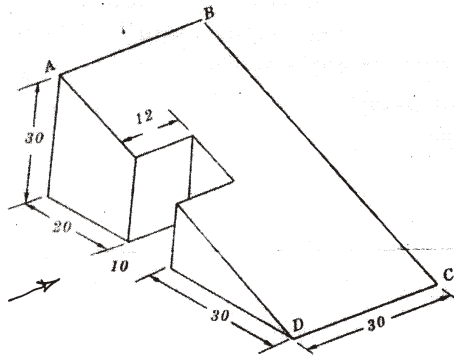
[ Contd...

WWW.MANARESULTS.CO.IN

3. Draw the <sup>\*</sup>top view of the figure shown below :



4. Draw the auxiliary view of inclined surface of the object shown below :



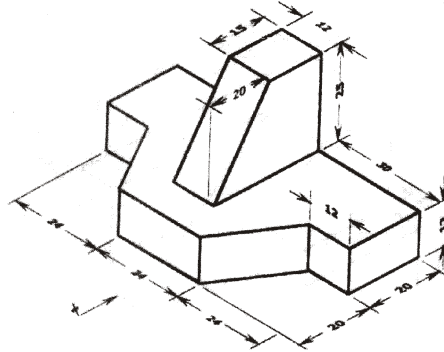
**PART—B**

10×4=40

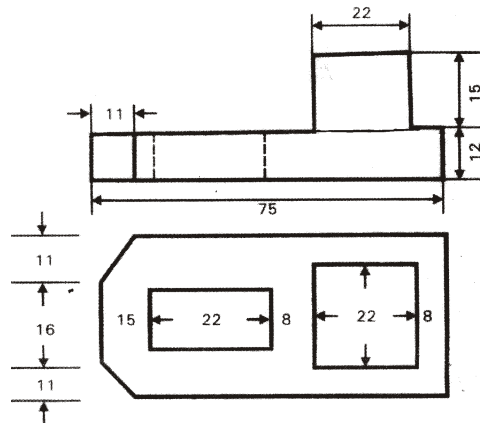
- Instructions :** (1) Answer *any four* questions.  
 (2) Each question carries **ten** marks.

5. Draw a helix of pitch 70 mm on a cylinder dia of 50 mm.
6. A hexagonal prism, with side of base 25 mm and axis 50 mm long, is resting on a corner of its base on horizontal plane. Draw the projections of the prism, when its axis is making 30° with HP and parallel to VP.

7. Draw the front view, top view and right side view of the figure shown below :



8. A cone is resting with its base on HP. It is cut by a plane which is at  $45^\circ$  to the HP and perpendicular to the VP the cutting plane passes through the mid-height of the cone. Draw the sectional top view and sectional side view.
9. The front view and top view of an object are shown below. Draw its isometric view.



10. A hexagonal prism of base 30 mm side and height 60 mm is standing with its base on ground with one of its base edges parallel to VP. It is cut by a section plane, inclined at  $45^\circ$  to HP and perpendicular to VP and passing through mid-point of axis of prism. Draw the development of lateral surface of prism.

\*\*\*