



*

C16-RAC-306

6247

BOARD DIPLOMA EXAMINATION, (C-16)

AUGUST/SEPTEMBER—2021

DME - THIRD SEMESTER EXAMINATION

MACHINE DRAWING

Time : 3 hours]

[Total Marks : 60

PART—A

5×4=20

- Instructions :
- (1) Answer all questions.
 - (2) Each question carries five marks.
 - (3) Answers should be neat and clear with all the necessary dimensions.
 - (4) All dimensions are in mm.

1. Sketch the following thread profiles with proportions :
 - (a) ACME thread
 - (b) Knuckle thread
2. Draw the Gib head key with proportions. Assume diameter of shaft as 40 mm.
3. Draw the following pipe fitting symbols(single line) :
 - (a) Plug
 - (b) Coupling
 - (c) Union
 - (d) Cap
 - (e) Check valve
4. Draw the weld symbols for the following type of welds:
 - (a) Single V-butt weld
 - (b) Backing weld
 - (c) Single bevel butt weld
 - (d) Single J-butt weld
 - (e) Square butt weld

/6247

1

[Contd...

*

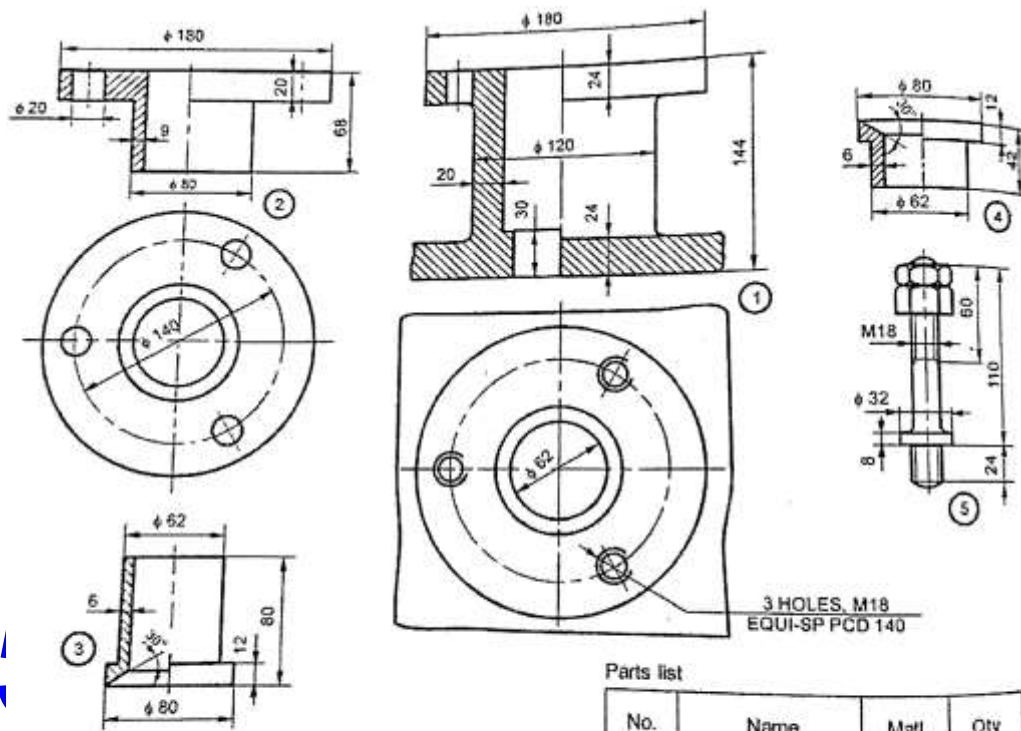
*

PART—B

40×1=40

- Instructions :
- (1) Answer any one question.
 - (2) Each question carries forty marks.
 - (3) All dimensions are in mm. Choose suitable scale.
 - (4) Assume missing dimensions suitably.

5. Assemble the parts of stuffing box as shown in the figure and draw the following views :
- (a) Half-sectional front view, with left half in section
 - (b) Top view



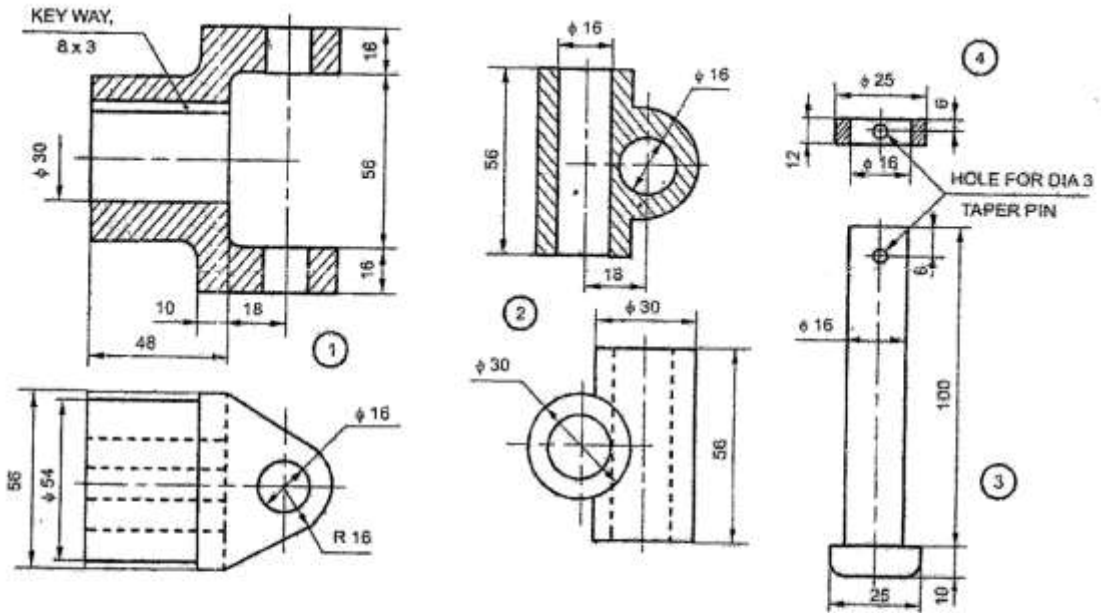
Parts list

No.	Name	Matl	Qty
1	Stuffing box	CI	1
2	Gland	CI	1
3	Gland bush	BRASS	1
4	Neck bush	BRASS	1
5	Stud with nuts	MS	3

6. Assemble the*parts of universal coupling as shown in the figure and draw the following views :

(a) Sectional front view

(b) Left side view



Parts List

No.	Name	Matl	Qty
1	Fork	MS	2
2	Centre Block	MS	1
3	Pin	MS	2
4	Collar	MS	2

*

*