

Phase III
UNIVERSITY OF PUNE
[4361]-107
F. E. Examination - 2013
ENGINEERING GRAPHICS-I
(2012 Pattern)

[Total No. of Questions:]
[Time : 2 Hours]

[Total No. of Printed Pages :4]
[Max. Marks : 50]

- (1) Use only half imperial size drawing sheet as answer book.*
- (2) Retain all construction lines.*
- (3) Assume suitable data, if necessary.*

Q1 The point A of 65 mm long AB in HP and 15 mm in front of VP. The line [12]
is inclined to HP and VP at 40° and 35° respectively. Draw the projections
of line AB and locate its traces.

OR

Q2 An equilateral triangle of 60 mm side is resting in VP on one of its side. [12]
Then its surface is inclined to VP at an angle of 40° . Draw the projections of
plane, if the resting side is inclined to HP at an angle of 30° . Find the
inclination made by plane with HP.

Q3 A square prism of base side 40 mm and axis height 60 mm is resting in [13]
HP an one of its base corner. Then, it is tilted so that base surface is
inclined to HP at an angle of 30° . Draw the projections, if the top view of the
axis makes 30° with VP.

OR

Q4 a) Draw a cycloid of rolling circle of diameter 40 mm. [7]

b) Draw the development of lateral surface of pentagonal pyramid of base side 30mm and axis height 60 mm. [6]

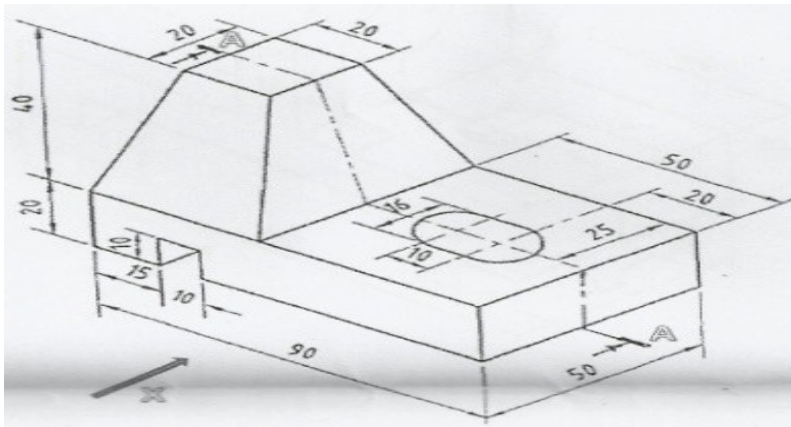
Q5 Figure 1 shows a pictorial view of an object. By using first angle method [13] of projections, draw:

i. Sectional front view, along given section A-A [4]

ii. Right hand side view [4]

iii. Top view [4]

iv. Dimensions [1]



OR

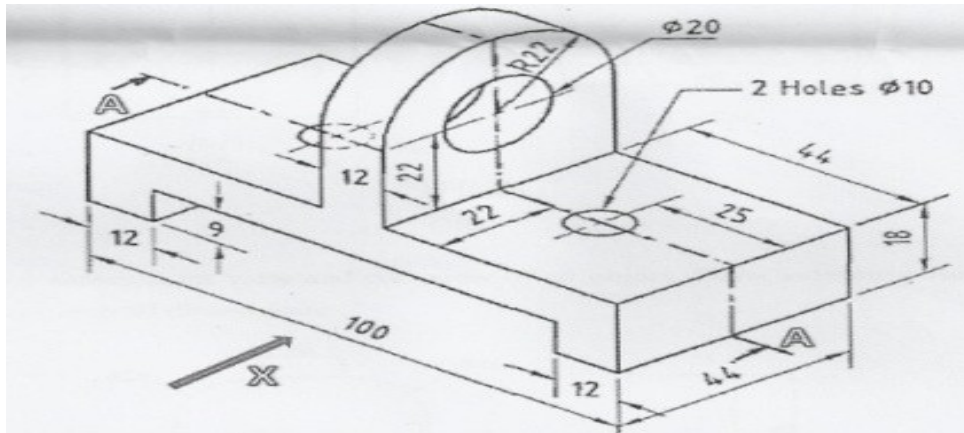
Q6 Figure 2 shows a pictorial view of an object. By using first angle method [13] of projections, draw;

i. Sectional front view, along sectional plane A-A [4]

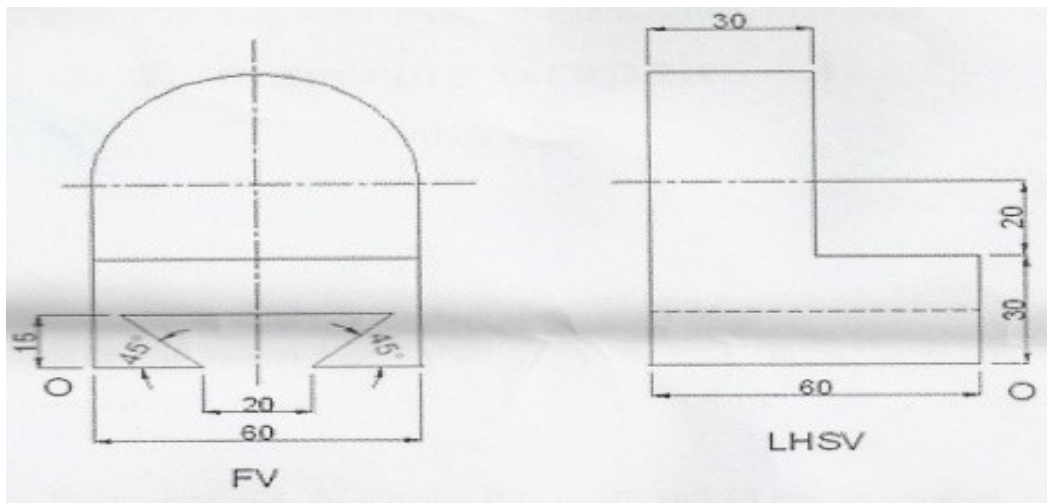
ii. Right hand side view [4]

iii. Top view [4]

iv. Dimensions [1]



Q7 Figure 3 shows front view and end view of a bracket. Draw isometric view and show overall dimensions. [12]



Q8 Figure 4 shows front view and end view of an object. Draw isometric view and show overall dimensions. [12]

