

NOV - Dec - 2012

|          |  |
|----------|--|
| Seat No. |  |
|----------|--|

Total No. of Questions : 8]

[Total No. of Printed Pages : 4

[4261]-7

F. E. Examination - 2012

ENGINEERING GRAPHICS - I

(2012 Course)



Time : 2 Hours]

[Max. Marks : 50

*Instructions :*

- (1) Use only half imperial size drawing sheet as answer book.
- (2) Retain all construction lines.
- (3) Assume suitable data, if necessary.

---

**Q.1)** The point P of 75mm long line PQ is 25mm above HP while its end point Q is 20mm in front of VP. Its plan makes  $36^\circ$  with HP while, the projector distance between the end points of line is 60mm. Draw the projections of a line and find the inclinations made by it with HP and VP. Also, locate the traces of line. [12]

**OR**

**Q.2)** A hexagonal plate, base side 50mm, is resting in HP on one of its corner with its side parallel to VP. Then, its surface is inclined to HP so that the corner opposite to resting corner is 51mm above HP. Draw the projections, if its top view line passing through resting corner and its opposite corner, is inclined to VP at an angle of  $35^\circ$ . Also, find the inclination made by the plate with VP. [12]

**Q.3)** A cone of base diameter 60mm and axis height 80mm is resting in HP on one of its base circumference point. Then, it is inclined to HP such that the point opposite to resting point is 52mm above HP. Draw the projections, if its axis is inclined to VP at  $35^\circ$ , with its apex away from the observer. [13]

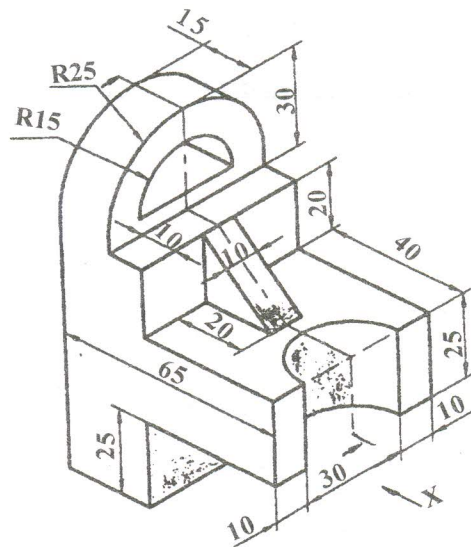
**OR**

[4261]-7

1

P.T.O.

- Q.4)** (A) Construct a parabola by rectangle method, if the base is 60 mm and axis height is 80mm. [07]
- (B) Draw the development of a hexagonal prism with base side 25mm and axis height 50mm. [06]
- Q.5)** Fig. 1 shows a Pictorial View of an object. By using First Angle Method of projections, draw :
- (a) Sectional Left Hand Side View, along given section plane [04]
- (b) Front View [04]
- (c) Top View [04]
- (d) Dimensions [01]



**Fig. 1**

**OR**

Q.6) Fig. 2 shows a Pictorial View of an object. By using First Angle Method of projections, draw :

- (a) Sectional Front View, along sectional plane A-A [04]
- (b) Left Hand Side View [04]
- (c) Top View [04]
- (d) Dimensions [01]

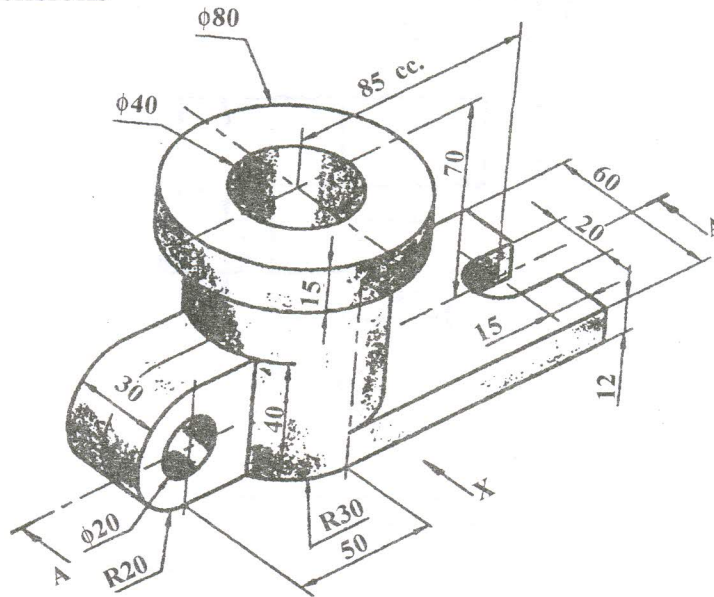


Fig. 2

Q.7) Fig. 3 shows Front View, Top view and End View of a bracket. Draw Isometric View and show overall dimensions : [12]

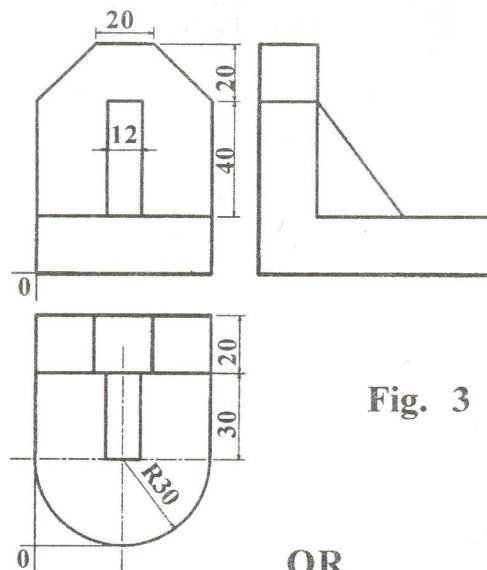


Fig. 3

OR

3

[4261]-7

P.T.O.



Q.8) Fig. 4 shows Front View and Top View of an object. Draw Isometric View and show overall dimensions : [12]

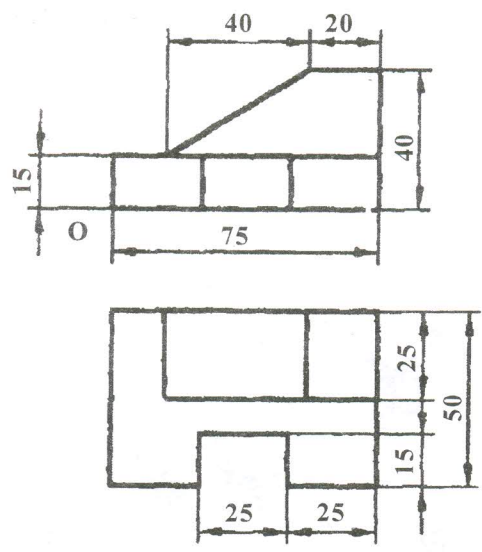


Fig. 4



[4261]-7/4