



C09-A/AA/AEI/C/CM/EC/EE/CH/
CHST/FW/IT/M/MNG/MET/PKG/TT-107

3005

**BOARD DIPLOMA EXAMINATION, (C-09)
OCTOBER/NOVEMBER-2018
FIRST YEAR EXAMINATION**

ENGINEERING DRAWING

Time : 3 Hours]

[Total Marks: 60

PART-A

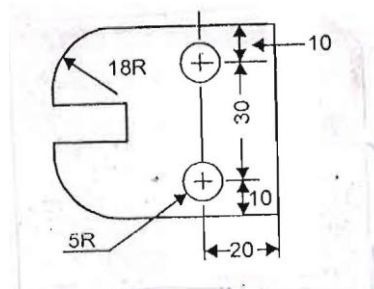
4X5=20

- Instructions :**
1. Answer **All** questions.
 2. Each question carries **Five** marks.
 3. All dimensions are in mm

1. Print the following statement by using B.I.S (Bureau of Indian Standard) (12mm free hand inclined Capital lettering

“UNITY IS STRENGTH”

2. Re-draw the following fig.1 and dimension it properly as per Sp “ 46:1988



3. Draw the front view for the object shown in Fig2.

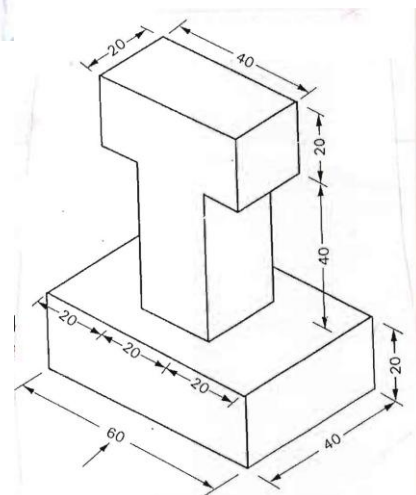


Fig.2

4. Draw the auxiliary view of slanted surface shown in Fig.

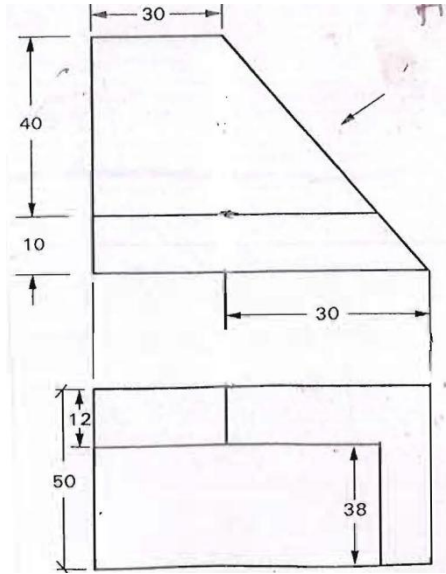


Fig.3

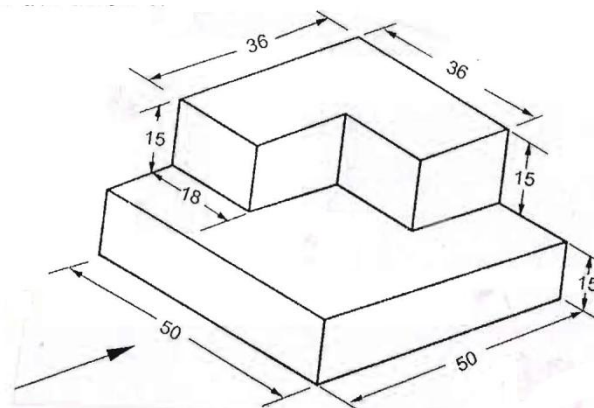
PART-B

10X4=10

Instructions :

1. Answer any **Four** questions,
2. Each question carries **ten** marks.
3. All dimensions are in mm take suitable scale whenever required.

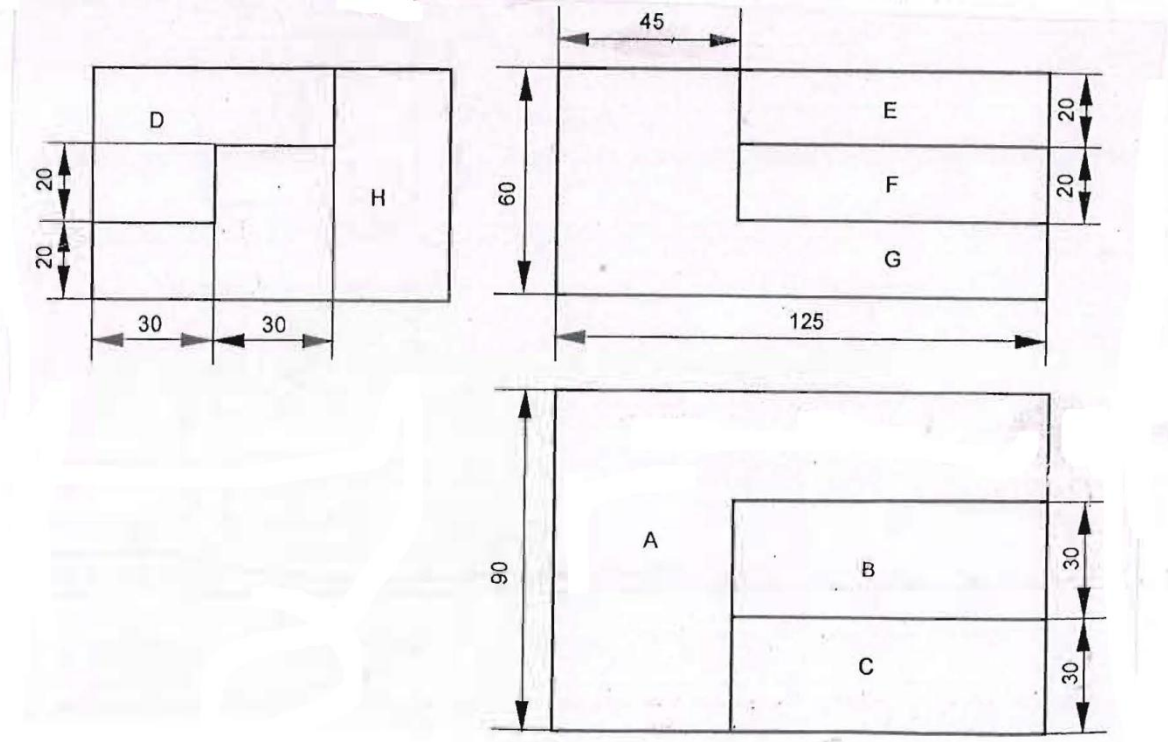
5. Draw the internal tangent to the two circles of unequal radius $R_1=20\text{mm}$ and $R_2=10\text{mm}$. the distance between the circle is 70mm.
6. A hexagonal pyramid of base side 30mm and axis 60mm is resting its base on HP. Draw the projections when the axis makes an angle of 60° with H.P?
7. Draw the three views of the object whose isometric view is given in fig.



8. A cone of base diameter 30mm and axis 70mm is resting on one of its base edge touching H.P such that the axis makes an angle of 35° H.P. it is cut by a sectional

plane perpendicular to V P and parallel to H.P passes through 15mm from its top, draw the sectional top view and front view.

9. Draw the isometric view from the given tow views of object?



10. Draw the development of a square pyramid with side of base 30mm and height 60mm resting with its base on H.P and two edges of its base are equally inclined to V.P
