



C-16-A/CHST/C/CM/EC/EE/M/
AEI/MNG/IT/PKG-107

5005-A

**BOARD DIPLOMA SUPPLEMENTARY (INSTANT)
EXAMINATION, (C-16)**

JUNE - 2019

**FIRST YEAR (COMMON) EXAMINATION
ENGINEERING DRAWING**

Time : 3 Hours]

[Total Marks : 60

PART - A

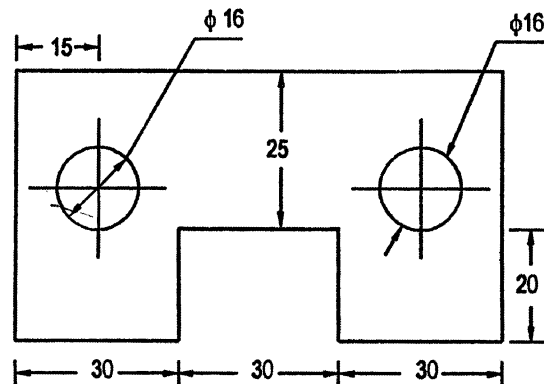
5×4=20

- Instructions :**
- (1) Answer **ALL** questions
 - (2) Each question carries **FIVE** marks.
 - (3) Assume any missing data suitably.
 - (4) All dimensions are in mm.

- 1 Print the following in single stroke capital inclined letters in 12 mm size.

BOARD DIPLOMA EXAMINATIONS

- 2 Redraw the following fig. and dimension it properly using parallel dimensioning.

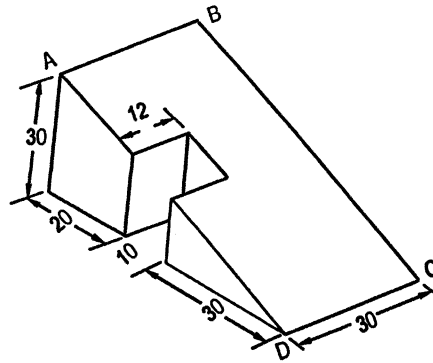


5005-A]

1

[Contd...

- 3 Construct pentagon for the side of 30 mm
- 4 Draw the auxiliary view of inclined surface of object shown below

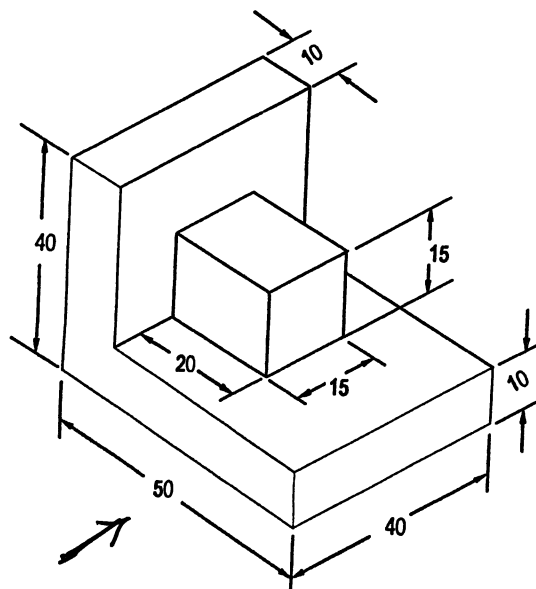


PART - B

10×4=40

- Instructions :**
- (1) Answer any **FOUR** questions.
 - (2) Each question carries **TEN** marks.

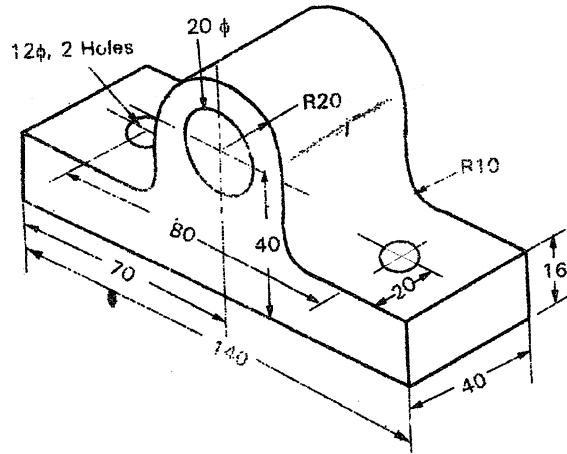
- 5 Construct ellipse by concentric circle method with major axis length is 80 mm and minor axis length is 60mm
- 6 A hexagonal prism with side of base 25 mm and axis 60mm long, is resting on one of its rectangular face on HP draw projections of prism when its axis is inclined at 45 degrees to VP
- 7 Draw the front view and top view of the following figure



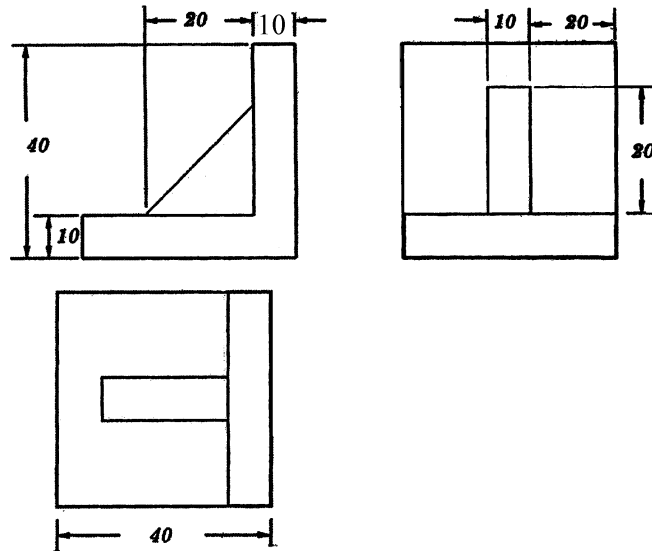
5005-A]

[Contd...

- 8 Draw the sectional view of component shown in figure.



- 9 Draw the isometric view of the fig whose ortho graphic views are shown



- 10 Draw the development of the elbow in two pieces at 90 as shown

